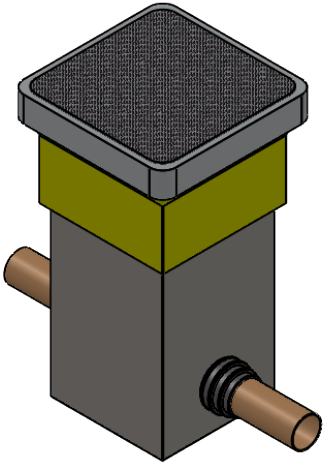


- Notes:**
- 1-Height adjustment between 1000mm and 726mm. If additional height is required contact Berrys technologies to order extensions.
 - 2- Leave void between grp corbel and chamber open, unless the site has a high water table. If high water table, contact Berrys technologies to order up self levelling resin and condensation bottle system
 - 3- Contractor to supply pipe boot adapter seals to make connection to UVPC pipe tails.
 - 4- If chamber depth is more than 1m contact Berrys technologies to order valve handle extension



REV NO:	DATE	UNLESS OTHERWISE SPECIFIED:	NAME	DATE
		DIMENSIONS ARE IN MM TOLERANCES: TBA FRACTIONAL ± ANGULAR: MACH ± BEND ± TWO PLACE DECIMAL ± THREE PLACE DECIMAL ±	DRAWN -JW	17/11/2016
		INTERPRET GEOMETRIC TOLERANCING PER:	CHECKED	
		MATERIAL Material <not specified>	ENG APPR.	
		FINISH -	MFG APPR.	
		DO NOT SCALE DRAWING	Q.A.	
			COMMENTS:	

TITLE:
**Berrys Interceptor
isolation chamber**

SIZE A	DWG. NO. -	REV B
SCALE: 1:20	WEIGHT: 246267.48	

PROPRIETARY AND CONFIDENTIAL
THE INFORMATION CONTAINED IN THIS DRAWING IS THE SOLE PROPERTY OF BERRYS TECHNOLOGIES LTD. ANY REPRODUCTION IN PART OR AS A WHOLE WITHOUT THE WRITTEN PERMISSION OF BERRYS TECHNOLOGIES LTD IS PROHIBITED.